



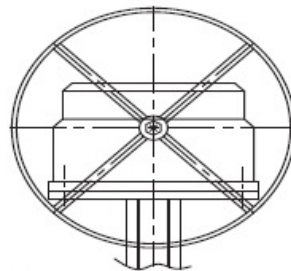
**SAFE
CORPORATION**

11, Clive Row, Room No. 11A,
Kolkata: 700001, West Bengal.

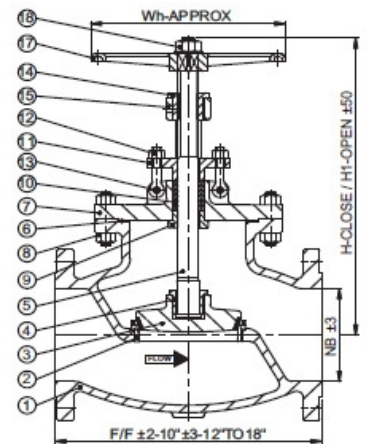
+91 9830515607 | +91 9831384631
91 - 33 - 2242 3713

✉ safecorp1@gmail.com

GLOBE VALVES



BEVEL GEAR OPERATION
SIZE-12"-18"



SR. No.	Part Name	Material	Qty.
1	Body	A216-WCB	1
2	Seat Ring	SS-410	1
3	Plug Disc	SS-410 / WCB + 13CR.	1
4	Disc Nut	SS-410	1
5	Stem	SS-410	1
6	Body Gasket	SS-304 S/W GRAPHITE	1
7	Bonnet	A216-WCB	1
8	Bonnet Stud & Nut	A193-B7/A194-2H	REQ
9	Back Seat Bush	SS-410	1
10	Gland Packing	GRAFOIL RING	5/6
11	1 Pc. Gland	A216-WCB	1
12	Eye Bolt & Nut	STEEL	2SET
13	Cross Bolt & Nut	STEEL	2SET
14	Stem Nut	SG IRON / MS	1
15	Grub Screw	STEEL	1
16	Hand Wheel	SG IRON	1
17	Wheel Nut + Washer	STEEL	1+1

HYDRO TEST PRESSURE - Kg/Cm ²			
RATING	150#	300#	600#
SHELL	32	77	154
SEAT	22	56	112
AIR TEST PRESSURE - Kg/Cm ²			
SEAT	6	6	6

TECHNICAL DATA

Construction	: Out Side Screw & Yoke Type, rising Stem & Hand Wheel Bolted Bonnet, Plug Disc, Renewable Seating
Design & Mfg Std	: As Per BS-1873
Insp & Test Std	: As Per BS-6755-part-1
Face To Face Dim.	: As Per ASME B16.10
End Connection	: Flange End As Per ASME B16.5 Class 150#
Moc	: WCB / CF8 / CF8M / CF3 / CF3M
Trims	: 13% CR. / S.S.304 / S.S.316 / S.S.304L / S.S.316L
Operation	: Handwheel / Gear / Actuator

www.safecorporation.in